

LM-H Pro RF Series

The **LM-H Pro RF series of wireless data logger** is a new RF based data logger that measures temperature and % RH. These data loggers are very useful in monitoring data across large facilities where wiring is difficult. Since no wiring is required, deployment is very quick and easy. Data are sent by each device directly to the centralized broker (repeater) device and from there to gtekNet™ software over ethernet port. These data can be accessed from any network connected device using standard web browser.

The data logger consists of RF radio transmitter and receiver operating at 869.88 MHz (SRD License Free: EU Version) frequency. These data loggers form a star network with its broker. The broker is connected to the client-server based gtekNet™ software through ethernet. A new data logger when it is in the range of the central node – broker, gets easily connected to the gtekNet™. Each device transmits its data to the broker and is captured in gtekNet™. Any parameter of the data logger when set / changed from gtekNet™, first goes to the broker and then to the device. These data loggers has an internal memory of 3000 data sets. In the event of communication failure between broker and device or broker and gtekNet™, after reconnection, all the missed data will be synchronized by gtekNet™ automatically. This ensures that no data is missed.

Features:

- RF based data logger
- Up to 100m range (Line of Sight – Actual range may vary based on site condition)
- No wiring required
- Quick to deploy
- Long battery life > 1year at 15min Store interval
- High Accuracy, Temperature 0.5 °C; RH ±2 %
- Resolution of 0.1
- Upto 3000 data storage

Specifications:

Display and Operator Panels:

| | |
|------------------|--|
| Display Type | 3½ digit LCD Display |
| Status Indicator | Unit Indication, High and Low Alarm Indication, Battery Status and Storage on Indication |

Analog Input Details :

| | |
|---|--|
| Sensor Types: (PCB mounted, Internal Sensors) | |
| Temperature and %RH | Solid-state |
| Range - Temperature | -20 to +60 °C |
| Range - % RH | 0 to 100% |
| Accuracy - Temperature | ± 0.5°C |
| Accuracy - % RH | ±2% RH between 20-80 %RH ±3% RH otherwise |
| Resolution | 0.1 |
| Filter | 2 OHM |
| Measurement Rate | 5 min Default |



Batch Storage / Data Memory Details :

| | |
|----------------|--------------------------------------|
| Start / Stop | Remote Start – Stop through gtekNet™ |
| Store Interval | 5 minutes to 18 Hrs |
| Memory Size | 3000 records; Rollover |

Environmental :

| | |
|-------------|---------------------------------------|
| Temperature | (Storage)-30°C to 70°C |
| Humidity | (Storage) 5 to 90 % RH Non Condensing |

Power Requirement :

| | |
|----------------|--|
| Supply Voltage | Internal 2x1.5V 2500mAH battery size AA |
| Battery Life | >12 months @ 25 Deg C, communication @ every 5 mins approx |

Communication :

| | |
|-------------------------|--|
| RF Transmission | 869.88 MHz (SRD License Free: EU Version) |
| Power | Tx: 10dBm Rx: -40dBm |
| Protocol | Proprietary |
| Range | 100m Line of Sight approx. (may vary based on the field conditions and interferences) |
| Network Topology | Star |
| RF Data Packet Standard | IEEE 802.15.4, open communication architecture |
| Antenna | Integrated on PCB Omnidirectional |

Alarm Output :

| | |
|------------------|---|
| Alarm Set-point | High/Low individually settable for each channel |
| Alarm Indication | With Display Flashing and arrow to indicate High or Low |
| Alarm Delay | User Settable - 0 to 255 mins |

Overall Dimension

| | |
|--------------------------|----------------------|
| Dimension L x W x D (mm) | 135 x 75 x 30 Approx |
| Protection | IP 54 |

Select your ORDER Code:

| | | | | | | |
|--|--|--|--|---|--|--|
| | | | | - | | |
|--|--|--|--|---|--|--|

Example ORDER Code:

| | | | | | | |
|---|---|---|---|---|---|---|
| 6 | 2 | 1 | 1 | - | 5 | 6 |
|---|---|---|---|---|---|---|

Code : Series
6 : LMPro

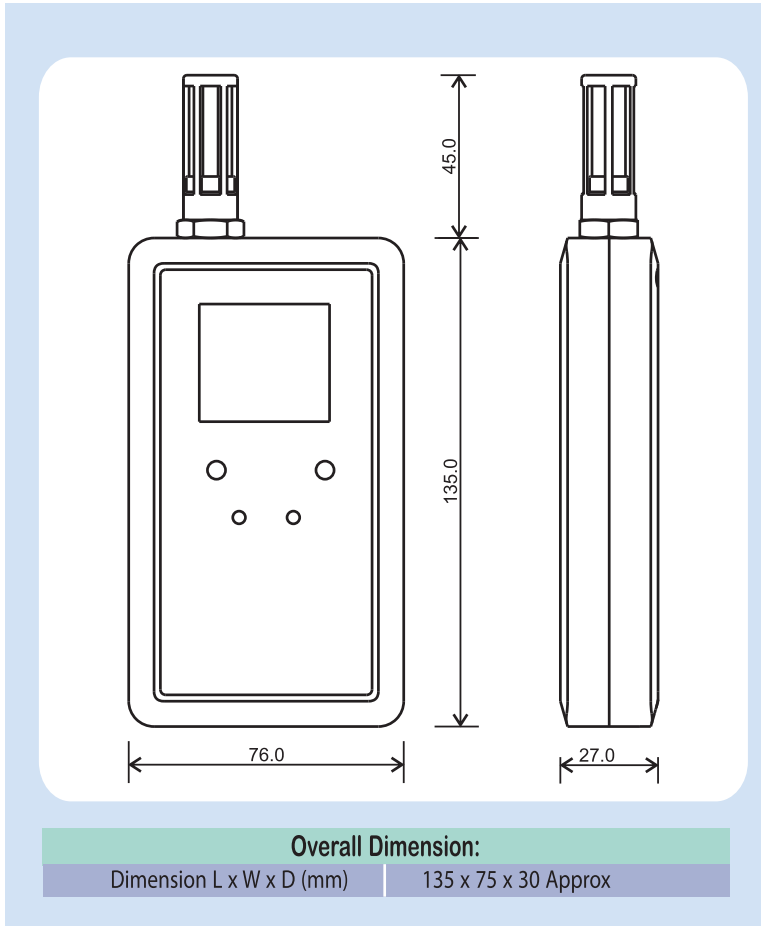
Code : Input Type
2 : Temp + RH

Code : Power Supply
1 : Battery

Code : Mounting Type
1 : Handheld

Code : Software
4 : gtekNet™ Non Secure
5 : gtekNet™ Secure

Code : PC Interface
6 : RF



Dealer / Representative

The specifications given above are an overview, and may be or may not be available in all product variants, or at an additional cost. The company reserves the right to change the specifications without prior notice, as the company follows a continual improvement philosophy for its products.



Manufacturers of :

- Circular Chart Recorders
- Strip Chart Recorders
- Inkless Recorders
- Paperless Recorders
- Scanners & Data Loggers
- Networked Data Loggers
- Application Software
- Web based DAQ

G-TEK CORPORATION PVT. LTD.

3, mahavir industrial estate,
nr. jalaram mandir, karelibaug,
vadodara - 390 018.
tel.: +91-265-2461912
e-mail: info@gtek-india.com
url: www.gtek-india.com